



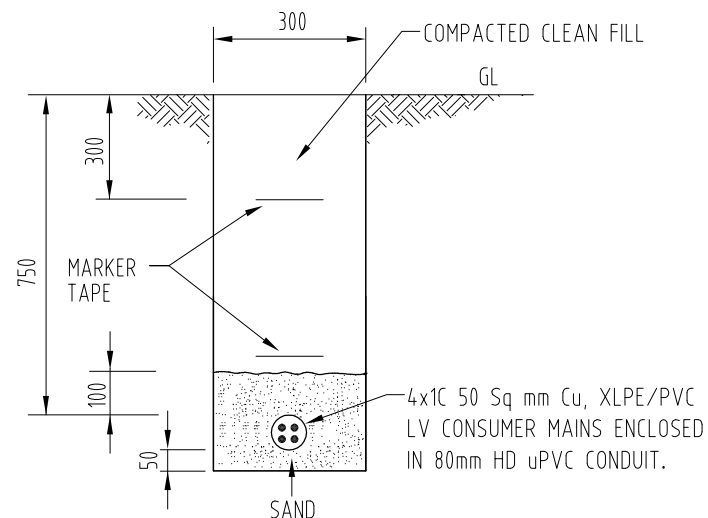
LOCALITY PLAN (N.T.S.)

LEGEND

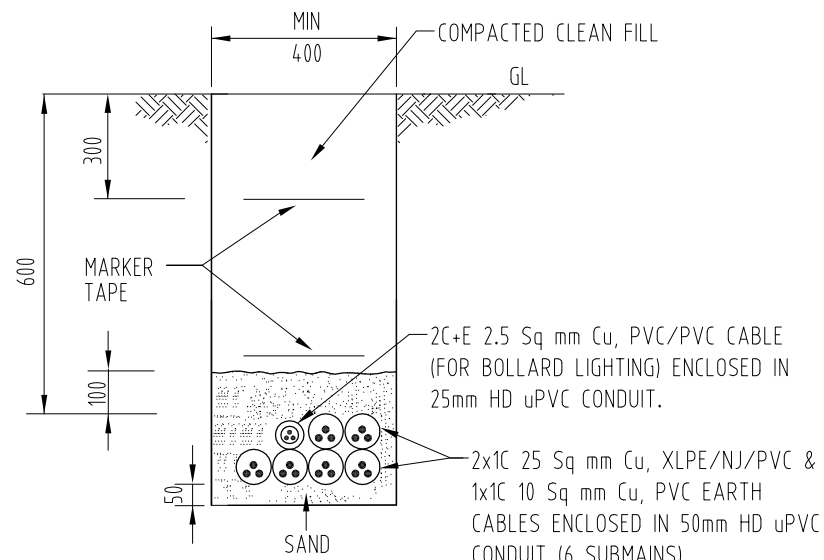
- DP RELOCATED EXISTING DIST. PILLAR - AS PART OF WORKS BY PWC.
- MSB NEW MAIN SWITCHBOARD/POWER AND WATER METERING PANEL - PLINTH MOUNTED.
- NEW UNDERGROUND CABLING ENCLOSED IN HD uPVC CONDUIT - REFER DETAILS A TO C & DWG No. E4 SINGLE LINE DIAGRAM FOR DETAILS.
- NEW HD uPVC CONDUITS SIZE/NUMBER AS SHOWN.
- NEW UNDERGROUND NBN PIPE - NUMBER/SIZE CONDUITS AS SHOWN. 'E' INDICATES EXISTING.
- NEW BOLLARD LUMINAIRE - 15W LED 'THORN' RAZE BOLLARD (700 HIGH) LUMINAIRE SET BACK 0.5m FROM EDGE OF KERB.
- CP NEW CABLE PIT - 'ACO' TYPE 45 (CP2/CP3)/TYPE 55 (CP1) WITH RISER & CONCRETE SURROUND. LID LABELLED 'ELECTRICITY'.
- NEW NBN PIT - TYPE/SIZE AS SHOWN. LID LABELLED 'NBN'.

NOTES

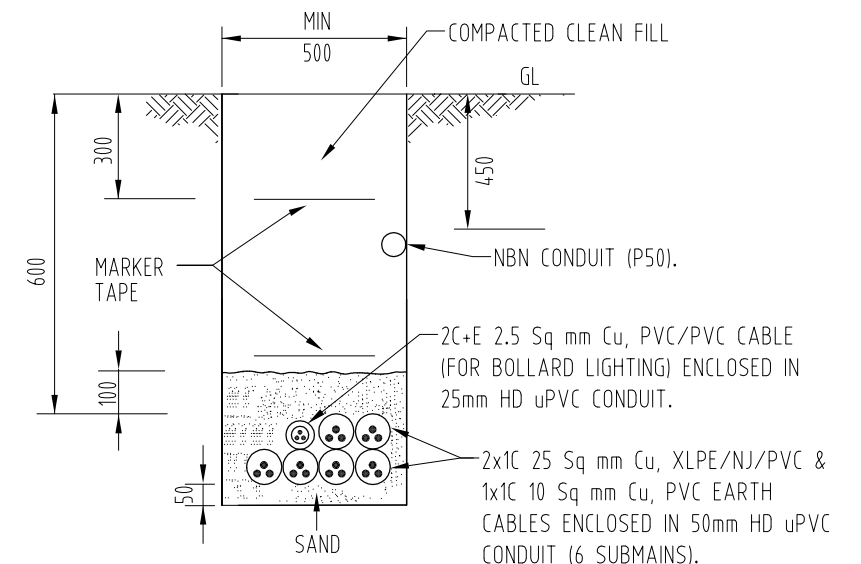
- 1 - CONTRACTOR SHALL CARRY OUT WORKS IN ACCORDANCE WITH AS/NZS 3000, AS/NZS 3008.1.1, POWER AND WATER REGULATIONS & NBN STANDARDS/REQUIREMENTS.
- 2 - PRIOR TO CARRYING OUT EXCAVATION WORKS, CONTRACTOR SHALL OBTAIN RELEVANT PERMITS (AND PAY ANY ASSOCIATED COSTS) & LIAISE WITH ALL RELEVANT AUTHORITIES TO ENSURE ALL EXISTING UNDERGROUND SERVICES ARE LOCATED (PRIOR TO TRENCH EXCAVATION). CONTACTS ARE POWER AND WATER - 1800 245 091 & "DIAL BEFORE YOU DIG" - 1100. THE CONTRACTOR SHALL BE RESPONSIBLE/LIABLE FOR COST OF REPAIRS TO ANY EXISTING SERVICES DAMAGED. ALL EXCAVATIONS SHALL BE BACKFILLED AT THE COMPLETION OF WORKS EACH DAY. CONTRACTOR SHALL REINSTATE WORKS TO SATISFACTION OF RELEVANT COUNCIL & AUTHORITIES. CONTRACTOR SHALL REMOVE SURPLUS MATERIAL & CLEAN SITE AT COMPLETION OF WORKS. CONTRACTOR SHALL PROVIDE SUFFICIENT WARNING SIGNS & BARRIERS (TO MAKE THE WORKS AREA SAFE) TO COMPLY WITH RELEVANT CURRENT WORK HEALTH ACT DURING CONSTRUCTION WORKS. CONTRACTOR IS RESPONSIBLE TO ENSURE THAT EXISTING ACCESS IS MAINTAINED DURING CONSTRUCTION WORKS.
- 3 - ALL WORKS REQUIRED ON EXISTING ENERGISED RETICULATION SHALL ONLY BE CARRIED OUT BY POWER AND WATER PERSONNEL. CONTRACTOR SHALL LIAISE WITH POWER AND WATER TO COORDINATE CONNECTION OF THE WORK INTO RELOCATED EXISTING UNDERGROUND RETICULATION. CONTRACTOR SHALL ARRANGE FOR & PAY ALL ASSOCIATED COSTS FOR POWER AND WATER TO CARRY OUT THE FOLLOWING WORKS:
 - CONNECT NEW LV SERVICE TO RELOCATED DIST. PILLAR P092ZU.
 - INSTALL NEW 3 PHASE METER TO NEW MSB/METERING PANEL.
- 4 - CONTRACTOR SHALL SUPPLY & INSTALL NEW CONSUMER MAINS/SUBMAINS/FINAL SUB-CIRCUIT CABLING/NEW BOLLARD LIGHTING AND SUPPLY/INSTALL NEW UNDERGROUND CABLING AS SHOWN INCLUDING TRENCHING/CABLE PITS/CONDUITS. CONTRACTOR SHALL COORDINATE ALL TRENCH LOCATIONS ON SITE WITH PROJECT OFFICER TO AVOID CLASH WITH OTHER SERVICES.
- 5 - CONTRACTOR SHALL SUPPLY & INSTALL NEW MSB/METERING PANEL. NEW MSB/METERING PANEL SHALL BE CONSTRUCTED FROM 1.6mm SHEET STEEL FOLDED & FULLY WELDED (ALL WELDS GROUND SMOOTH), COLOUR HERITAGE GREEN & SHALL BE IP56D RATING FITTED WITH LOUVRVED RELIEF VENTS/RAIN HOOD. ALUMINIUM GLAND PLATE SHALL BE FITTED TO BOTTOM OF MSB/METERING PANEL FOR INCOMING/OUTGOING CABLING. DOOR SHALL BE FITTED WITH LIFT OF HINGES WITH STAINLESS STEEL PINS, LATCHES, HANDLE & LOCK. MSB/METERING PANEL SHALL INCORPORATE 75mm GAL. PLINTH & BE MOUNTED ON A 150mm HIGH CONCRETE PAD (BOLTED). EXTEND CONCRETE PAD 100mm AROUND ALL SIDES. CONTRACTOR SHALL PROVIDE THREE (3) COPIES OF SHOP DRAWINGS WITH 1 COPY SUBMITTED TO POWER AND WATER FOR APPROVAL PRIOR TO MANUFACTURE.
- 6 - DWG No. E3 DEPICTS EXTENT OF NBN PIPE/PIT WORKS. REFER G3 DRAWING FOR CONSTRUCTION WORKS DRAWINGS.
- 7 - AT PRACTICAL COMPLETION, CONTRACTOR SHALL PROVIDE CD COPY (.PDF & .DWG FILES) & A3 COPIES OF 'AS INSTALLED' DRAWINGS. CONTRACTOR SHALL ALSO PROVIDE COPY OF ELECTRICAL "CERTIFICATE OF COMPLIANCE" TO PROJECT OFFICER.



DETAIL A - CABLE TRENCH DETAIL
BETWEEN DP/MSB (N.T.S.)



DETAIL B - CABLE TRENCH DETAIL
BETWEEN MSB/CP1 (N.T.S.)



DETAIL C - CABLE TRENCH DETAIL
BETWEEN CP1/TP-01 (N.T.S.)

CONTRACTOR:
**DEC INSTALLATIONS
PTY LTD**

PO BOX 37896
WINNELLIE NT 0821
PHONE : 8947 7650



**AGA CONSULTING
ENGINEERS PTY LTD**
ELECTRICAL & MECHANICAL
ACN 070 242 296

GPO BOX 3097
DARWIN NT 0801
MOBILE: 0411 262714

TERRITORY LIFE
GPO BOX 1779
DARWIN NT 0801
MOBILE: 0417 160700

ZUCCOLI STAGE 2 - STAGE 2H
PROPOSED 6 LOT STRATA DEVELOPMENT
LOT 13726 LEADWORT COURT

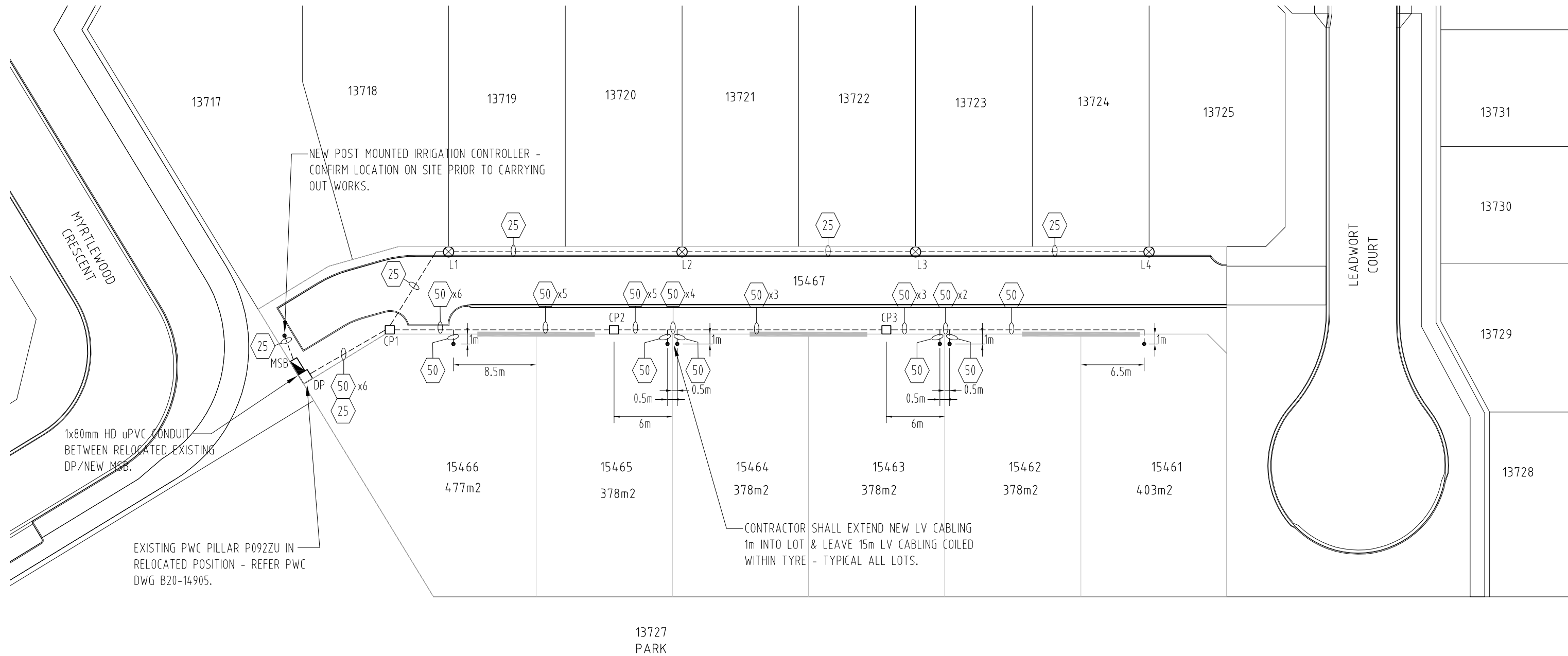
ELECTRICAL SERVICES -
LOCALITY PLAN, LEGEND, NOTES &
DETAILS

DRAWN.	K.T.	PROJECT No.	AGA406-22A
DESIGNED.	A.G.	ISSUE.	AS CONSTRUCTED
SCALE.	N.T.S.	DRAWING No.	
DATE.	23-3-21		20AGA406-22A/E1-C



WARNING

BEWARE OF EXISTING UNDERGROUND SERVICES.
CONTRACTOR SHALL CONFIRM LOCATIONS OF
SERVICES PRIOR TO EXCAVATION. COORDINATE
WITH ALL RELEVANT AUTHORITIES.



SITE PLAN (1:400 AT A3)

CONTRACTOR:
**DEC INSTALLATIONS
 PTY LTD**
 PO BOX 37896
 WINNELLIE NT 0821
 PHONE : 8947 7650

 **AGA CONSULTING
 ENGINEERS PTY LTD**
ELECTRICAL & MECHANICAL
 ACN 070 242 296

GPO BOX 3097
 DARWIN NT 0801
 MOBILE: 0411 262714

TERRITORY LIFE
 GPO BOX 1779
 DARWIN NT 0801
 MOBILE: 0417 160700

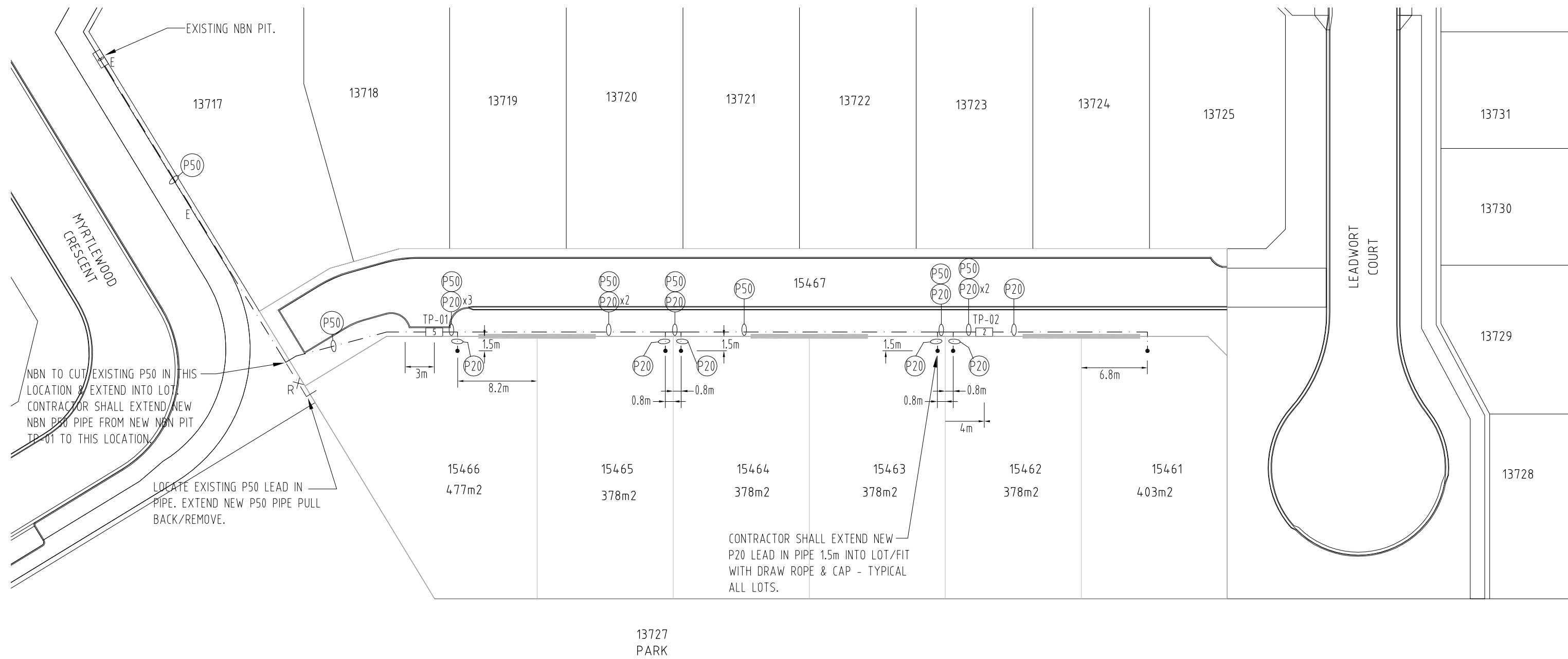
ZUCCOLI STAGE 2 - STAGE 2H
 PROPOSED 6 LOT STRATA DEVELOPMENT
 LOT 13726 LEADWORT COURT

ELECTRICAL SERVICES -
 EXTERNAL SITE RETICULATION
 (POWER & LIGHTING)

DRAWN.	K.T.	PROJECT No.	AGA406-22A
DESIGNED.	A.G.	ISSUE.	AS CONSTRUCTED
SCALE.	AS SHOWN	DRAWING No.	
DATE.	23-3-21		20AGA406-22A/E2-C



WARNING
 BEWARE OF EXISTING UNDERGROUND SERVICES.
 CONTRACTOR SHALL CONFIRM LOCATIONS OF
 SERVICES PRIOR TO EXCAVATION. COORDINATE
 WITH ALL RELEVANT AUTHORITIES.



SITE PLAN (1:400 AT A3)

CONTRACTOR:
**DEC INSTALLATIONS
 PTY LTD**
 PO BOX 37896
 WINNELLIE NT 0821
 PHONE : 8947 7650

 **AGA CONSULTING
 ENGINEERS PTY LTD**
ELECTRICAL & MECHANICAL
 ACN 070 242 296

GPO BOX 3097
 DARWIN NT 0801
 MOBILE: 0411 262714

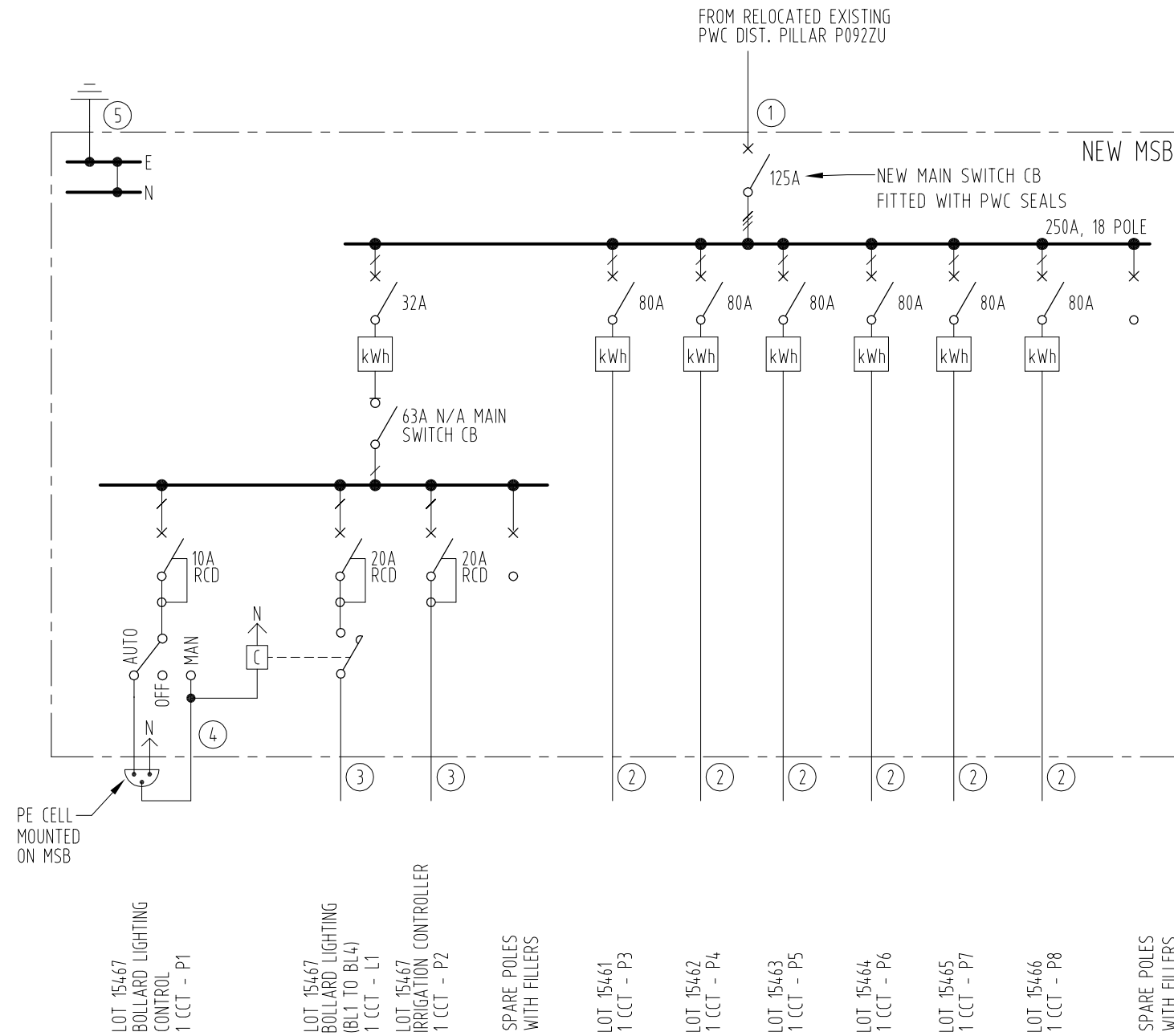
TERRITORY LIFE
 GPO BOX 1779
 DARWIN NT 0801
 MOBILE: 0417 160700

ZUCCOLI STAGE 2 - STAGE 2H
 PROPOSED 6 LOT STRATA DEVELOPMENT
 LOT 13726 LEADWORT COURT

ELECTRICAL SERVICES -
 EXTERNAL SITE RETICULATION
 (NBN)

DRAWN. K.T.
 DESIGNED. A.G.
 SCALE. AS SHOWN
 DATE. 23-3-21

PROJECT No. AGA406-22A
 ISSUE. AS CONSTRUCTED
 DRAWING No. 20AGA406-22A/E3-C



SINGLE LINE DIAGRAM (N.T.S)

CABLE SCHEDULE

- ① NEW 4x1C 50 Sq mm Cu, XLPE/PVC CONSUMER MAINS CABLING IN 80mm HD uPVC CONDUIT.
- ② NEW 2x1C 25 Sq mm Cu, XLPE/NJ/PVC & 1x1C 10 Sq mm Cu, PVC EARTH SUBMAINS CABLING ENCLOSED IN 50mm HD uPVC CONDUIT
- ③ NEW 2C+E 2.5 Sq mm Cu, PVC/PVC FINAL SUB-CIRCUIT CABLING ENCLOSED IN 25mm HD uPVC CONDUIT.
- ④ NEW 2C+E 1.0 Sq mm Cu, PVC/PVC.
- ⑤ NEW 1x1C 16 Sq mm Cu, PVC EARTH.

CONTRACTOR:
**DEC INSTALLATIONS
 PTY LTD**
 PO BOX 37896
 WINNELLIE NT 0821
 PHONE : 8947 7650



**AGA CONSULTING
 ENGINEERS PTY LTD**
ELECTRICAL & MECHANICAL
 ACN 070 242 296

GPO BOX 3097
 DARWIN NT 0801
 MOBILE: 0411 262714

TERRITORY LIFE
 GPO BOX 1779
 DARWIN NT 0801
 MOBILE: 0417 160700

ZUCCOLI STAGE 2 - STAGE 2H
 PROPOSED 6 LOT STRATA DEVELOPMENT
 LOT 13726 LEADWORT COURT

ELECTRICAL SERVICES -
 SINGLE LINE DIAGRAM

DRAWN.	K.T.	PROJECT No.	AGA406-22A
DESIGNED.	A.G.	ISSUE.	AS CONSTRUCTED
SCALE.	N.T.S.	DRAWING No.	20AGA406-22A/E4-C
DATE.	23-3-21		